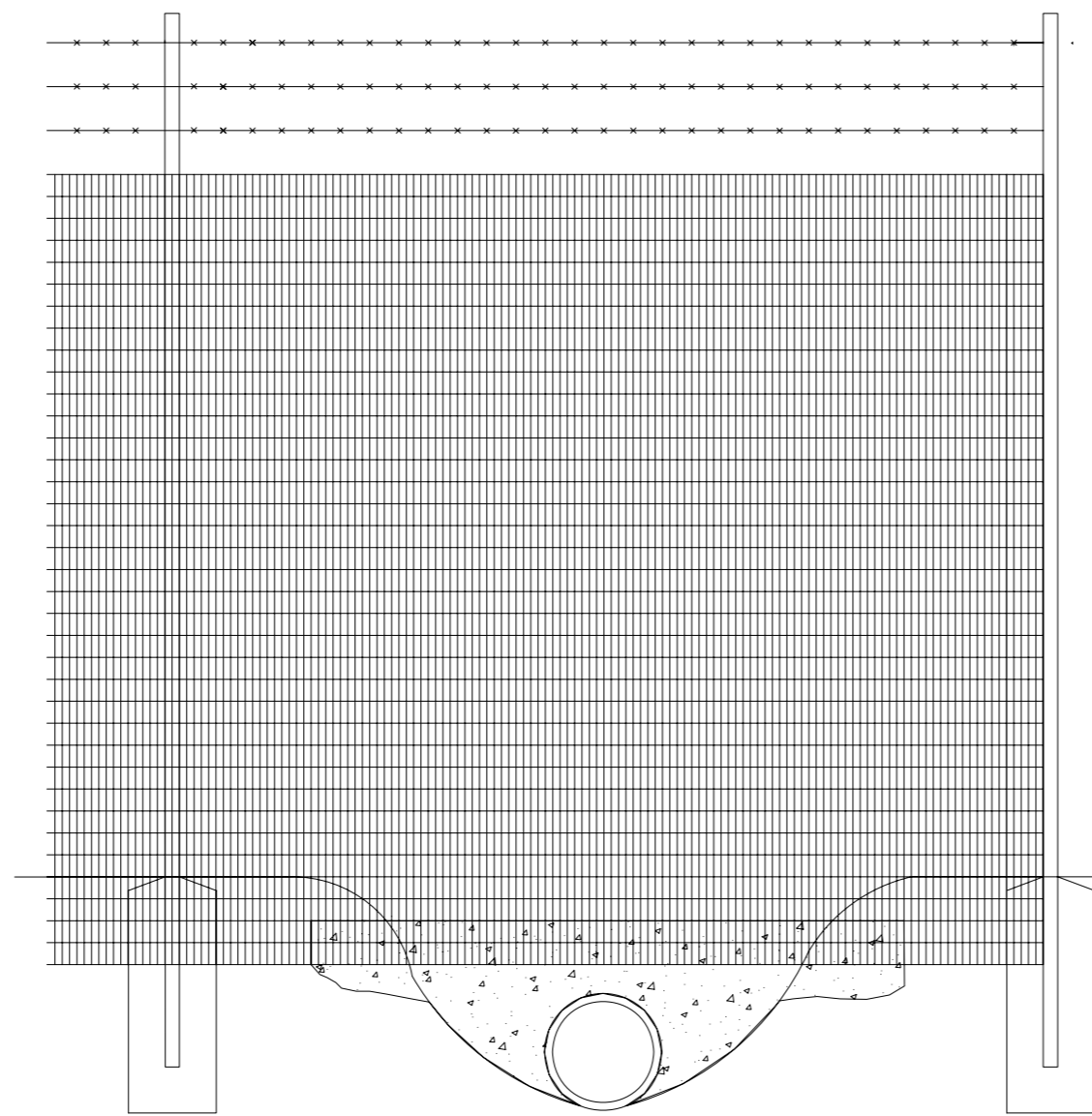
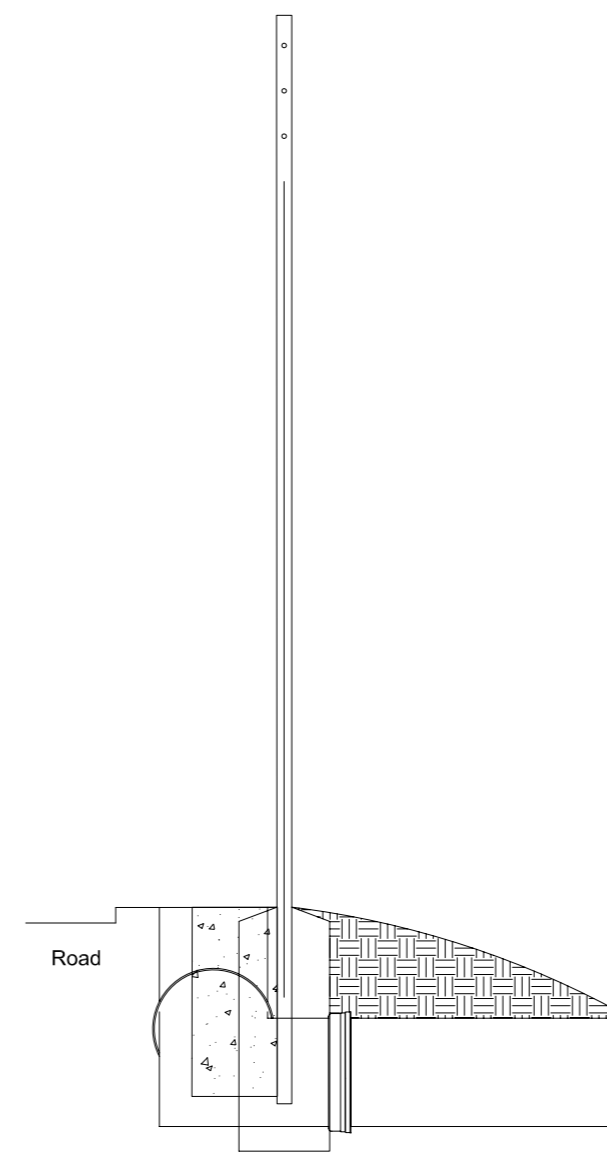


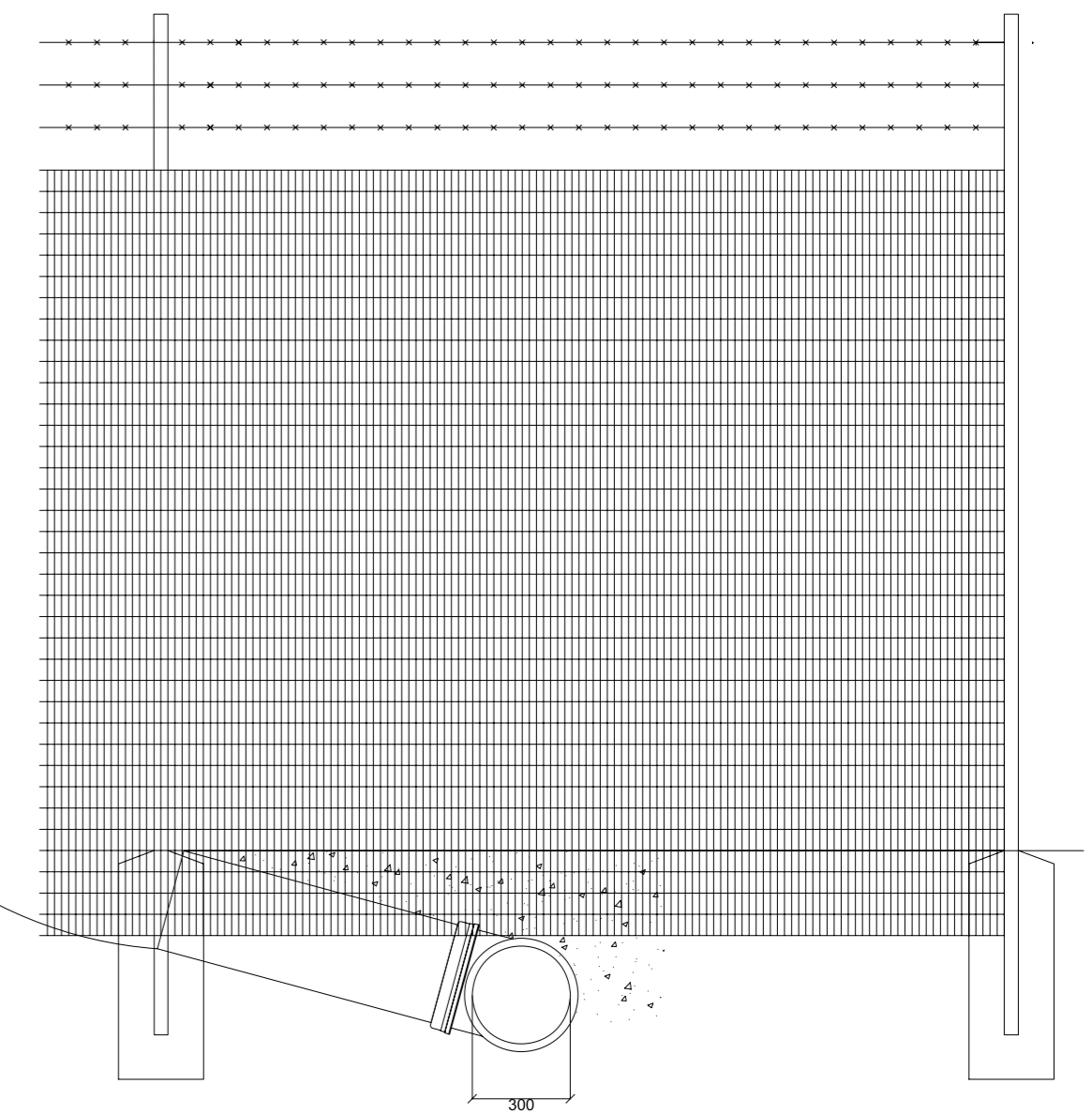
SECTION A



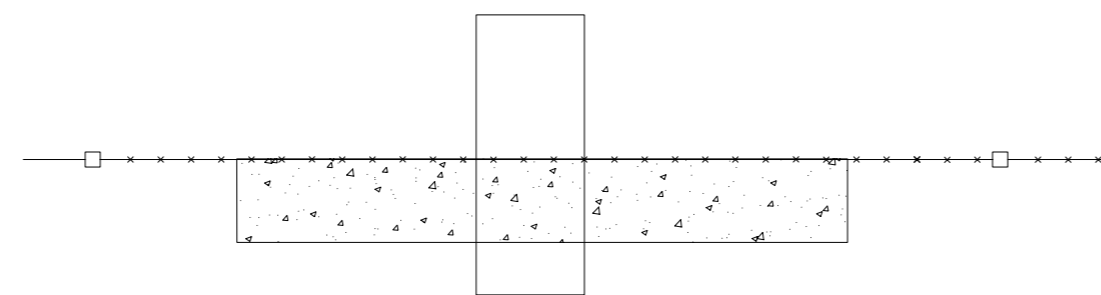
ELEVATION A



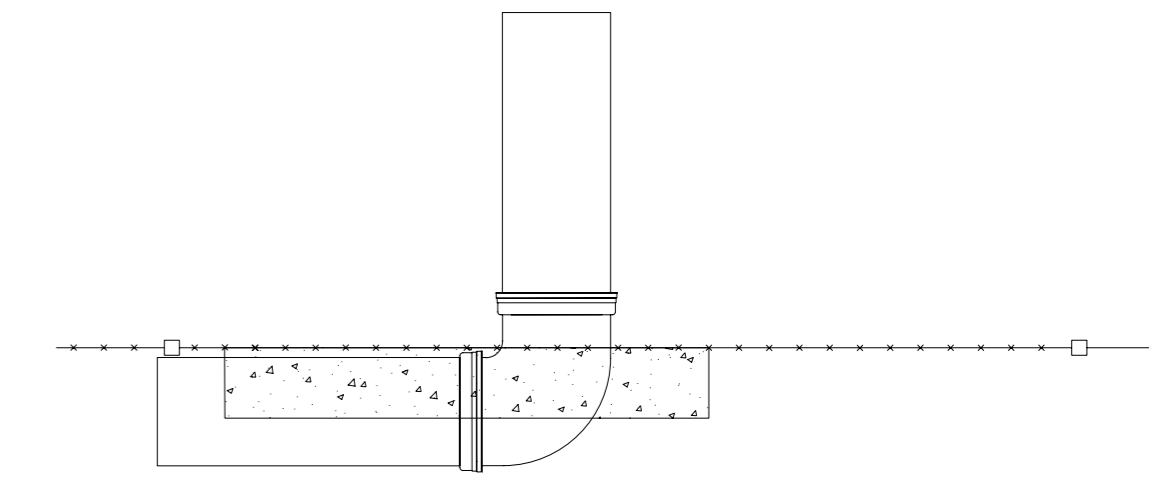
SECTION B



ELEVATION B



PLAN A



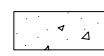
PLAN B

Drawings A show position of badger tunnels where the fence does not run in close proximity to the road.

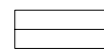
Drawings B show position of badger tunnels where the fence runs in close proximity to the road.



Soil



Concrete to secure gap between clay pipe and fencing.



Clay pipe

Clay pipe length can cut to size depending on location of tunnel.

Cass Associates  
 Studio 104 The Tea Factory  
 82 Wood Street Liverpool L1 4 DQ  
 Tel 0151 707 0110 Fax 0151 707 0332  
 Email: all@cassassociates.co.uk

drawing title  
**PROPOSED BADGER  
 TUNNELS**

ROYAL ORDNANCE BISHOPTON -  
 ENVIRONMENTAL TESTING FACILITY

scale 1:300 @ A2  
 date 10.11.06  
 dm LD

925-05